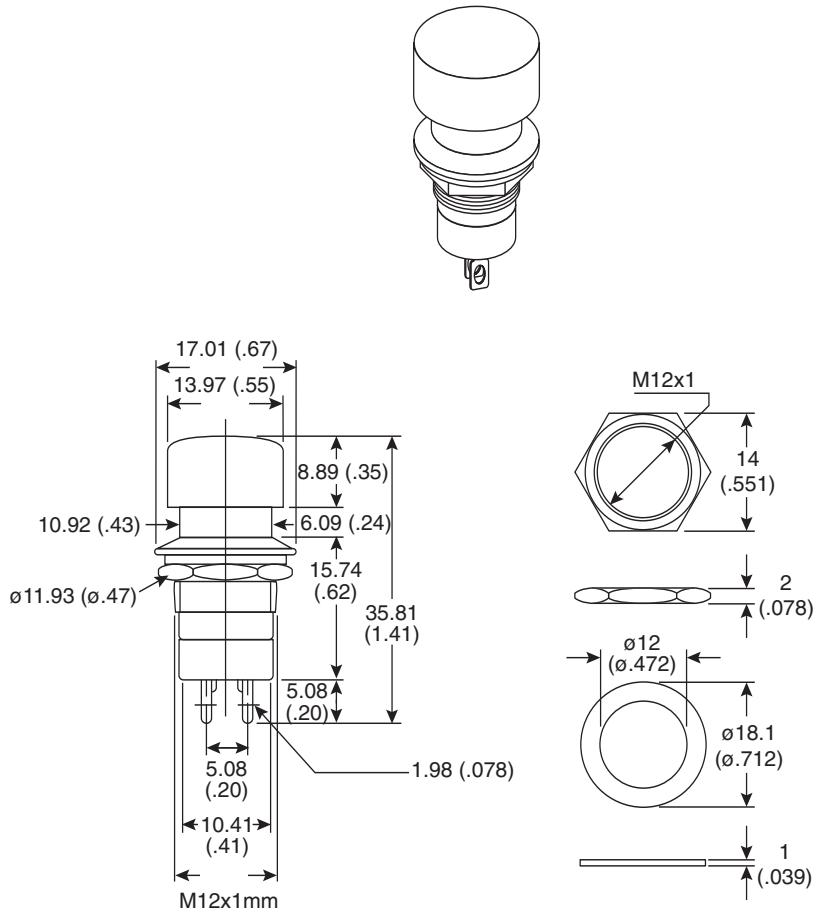


Dimensions: mm (In.)



**Electrical Specifications:**

- Rating: 3A / 250VAC
- Contact resistance: 10mΩ (max)
- Insulation resistance: 500VDC 100MΩ (min)
- Dielectric strength: 1500VAC for 1 minute

Mouser Stock No.	Circuit	Color
10PM021	Off-(On)	Red
10PM022	Off-(On)	Black
10PM031	On-Off	Red

**Mechanical Specifications:**

- Mounting hole: .48 inches
- Type: SPST

Pushbutton Switches  
10PM021, 10PM022, 10PM031

